

4

3

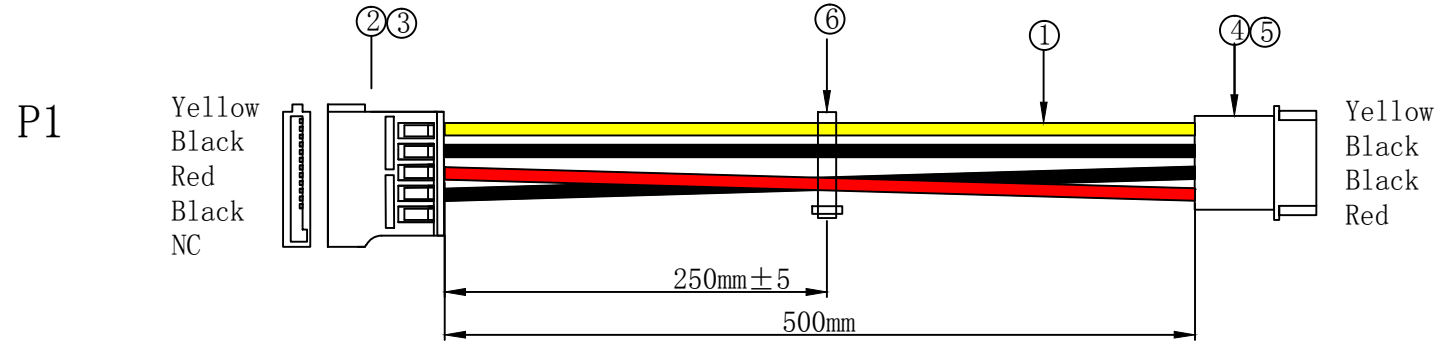
2

1

REVISIONS				
ZONE	REV	DESCRIPTION	DATE	DRAWN BY
	A			
	B			

D

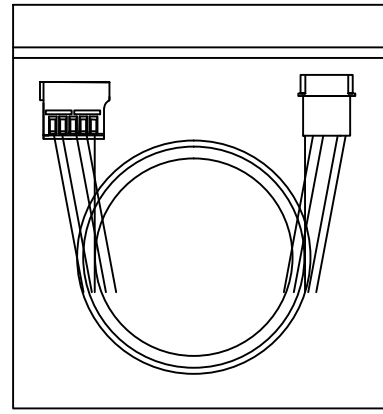
D



Manner of packing: One is in a bag

Wire parameters:

- 1. OD :2.0mm, PVC Insulation;
- 2. Conductor construction :41/0.16tinned copper;
- 3. Rated temperature: 80° C;
- 4. Rated voltage : 300V



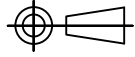
B

B

9				
8				
7				
6	Cable tie	4*150 cable tie white	pcs	1
5	Terminal	TJC10-RT tinned copper	pcs	4
4	Housing	TJC10-4R white	pcs	1
3	Terminal	SATA-T	pcs	4
2	Housing	SATA-5P Black	pcs	1
1	Wire	UL1007#18 80°C Red;Black;Black;Yellow	pcs	1
NC	Material	Specification	Unit	Q'ty

BILL OF MATERIAL

General Tolerance	
DIMENSION	
X.X	±0.30
X.XX	±0.10
X.XXX	±0.05
ANGLE	
±5°	



Shenzhen YDR Connector Co.Ltd.

Website: <https://ydwharness.en.alibaba.com/>

Publish NO.	704-0005	customer p.n.	
SHEET:	1 OF 1	part no.	
TITLE	JL1007 18AWG 500MM Molex to sata		
Approved By	Checked By	Drawn By	DATE
			2021. 04. 14
			SCALE
			NONE
			Units
			mm

4

3

2

1

A

A